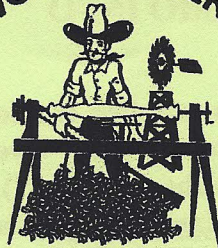


**SOUTH PLAINS
WOODTURNERS**



LUBBOCK, TEXAS



South Plains Woodturners

*Chartered by the American Association of Woodturners (AAW)
Affiliated with South West Association of Turners (SWAT)*

SPW MEETING July 7, 2007

TIME 10:00 am –12:00 noon

WOOD SHOP AT TARGET SHEETMETAL

SOUTH LOOP 289 LUBBOCK

Please park and enter in the back (see map)

From the President

The June meeting was full of excitement. I want to express my appreciation to all of our members. Continue to bring your work for our show and tell table. The quality and volume of the work is growing continually. Keep up the good work.

Keith, we thank you for your great demonstration. It was extremely informative as well as interesting. We can see why you are teaching your wood turning class, you certainly have good communicating skills. Our thanks go to you for the time and effort that went into that presentation.

Our appreciation goes out to the Comanche Trails club. Thanks for all the encouragement and help you all have given us in this inaugural year. The birthday candle was a neat gift which will be displayed right along side our AAW charter membership plaque. We value all of you who travel from Midland to be part of our membership. Thanks for your help and participation.

In closing, it seems very appropriate for our club to express once more our appreciation to the founding officers of SPW. Our thanks go to Bob Harbrough, the immediate past president, for his leadership in setting the solid foundation for our club. Also to the returning officers: Dick Markham, Mike Oglesby, Charles Swift, and Glenn Williamson we express our gratitude. Mike Chambers and myself are excited about working with the membership in a continued effort striving for excellence for the club. Larry.

DEMO INFO

Tom Chandler, Midland & Lubbock club member, is a co-instructor in the "new" Midland College Woodturning Program. His demo will be an "Overview" of that exciting community college addition (HINT: Is Lubbock ready?!) including history, curriculum, spindle/faceplate turning examples with Handouts!!! Tom is not only an AAW member but a frequent attendee at both the Provo, Utah Symposium and SWAT. This should be a very informative demonstration. Don't miss it!!!!!!

Note from Past President

I am very sorry I had to miss the last two meetings of our club but I had no choice. Several of the members have told me they were great meetings. I wanted to personally welcome Larry and Mike as new members of the board and to wish them well as they assume their new offices. The club is in great hands under the leadership of Larry and Mike. I, for one, am looking forward to a fantastic second year. I really do appreciate the officers and members for making my year as president a very memorable one. What a TREMENDOUS first year. There are a lot of new events in the planning for the coming year and I know it will be interesting and rewarding for everyone. Keep up the great turning, Bob

Raffle

Winners of the previous raffle are expected to bring something for the next one, but we encourage anyone, winner or not, to bring a turning to the raffle. This insures it's success and makes for a more interesting raffle. Also, more people have a chance to win something.

Club Shirts

We are seeing more and more of you wearing club shirts and it really looks great. Charles is still taking orders for club shirts. The price for the shirt with club logo is \$30.00. Men's sizes from Xsmall to 6XL, either short or long sleeve (Tall also available). Women's sizes from small to 4XL. If you want your name on it, the name is \$8.00. See Charles to order.

Other club meetings

Our sister club, COMANCHE TRAIL WOODTURNERS, meets the second Saturday of each month in Midland, Texas from 10:00am to 12:00 Noon. Normally they meet at George Hancock's shop at 1709 Clark Street.

The Amarillo club, PANHANDLE AREA TURNERS SOCIETY Meets The second Saturday of each month in Amarillo, Texas at 9:00am , normally At Bob Corn's shop at 7100 E. Willow Creek Road.

Parking and Entering

Please park and enter the building in the back of West side of Target Sheet Metal. Because of Liability and Insurance reasons, use of front doors other than for business reasons is prohibited. See map at end of newsletter. Signs will be outside and inside building.

SPW Board of Directors

Bob Harbaugh-Past-President-806-784-0607

Larry Rogers- President -806-795-0245

Mike Chambers-First Vice President-806-637-7647

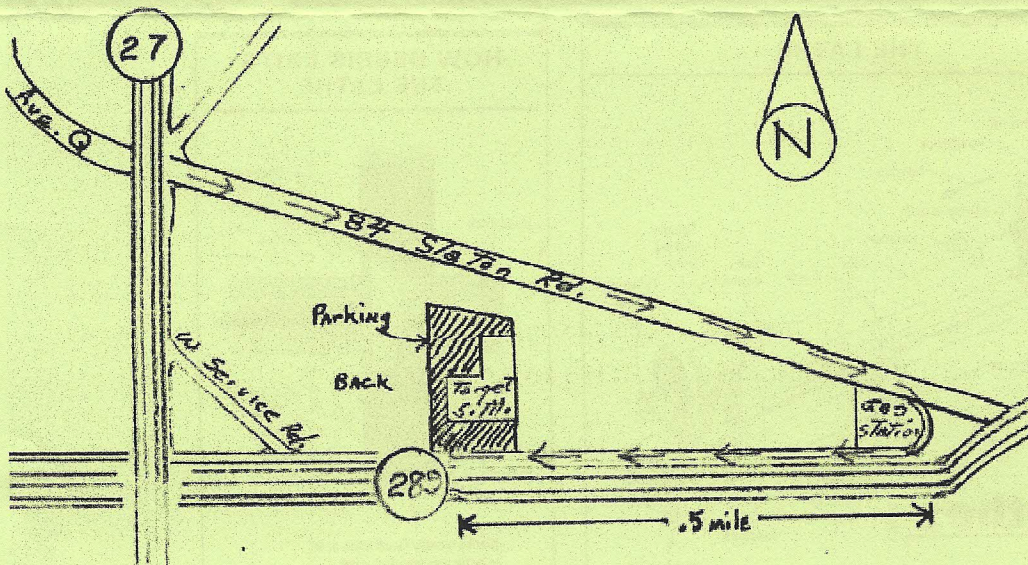
Mike Oglesby-Second Vice-President-806-795-9100

Charles Swift-Secretary-806-799-7059

Dick Markham-Treasurer-806-795-6248

Glenn Williamson-Raffle Mgr.-806-763-7343

Map to Target Sheet Metal



Please be sure and park in the back lot.

From the desk of...

Mary Lacer
AAW Assistant Director

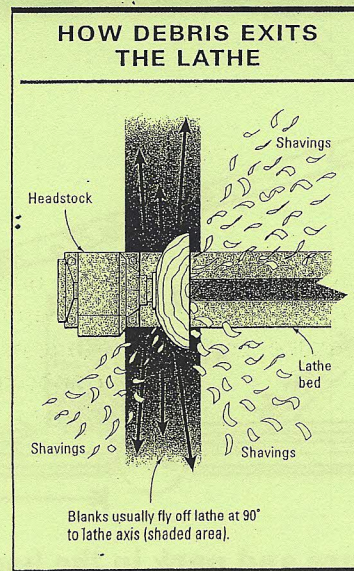
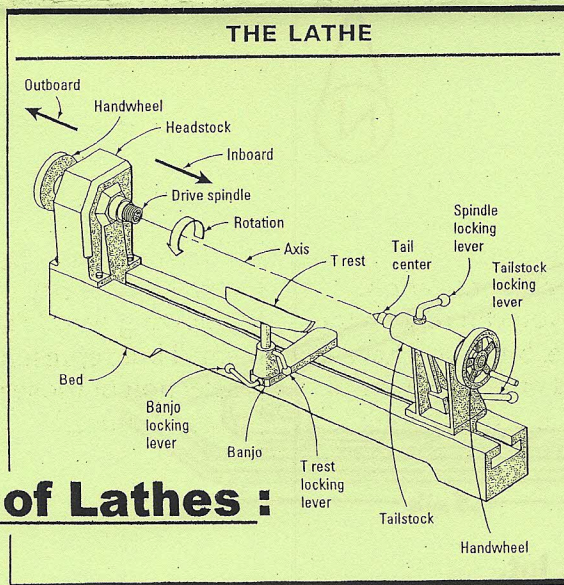
Charles,

Thanks for your updated bylaws.

Congratulations on a fantastic job with your local chapter. It just goes to show if you put the word out people will come.

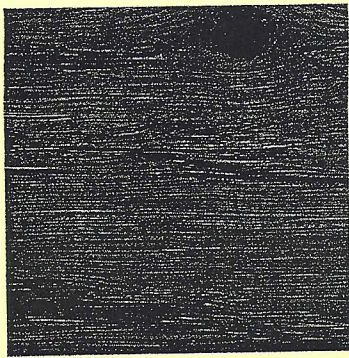
My best,
Mary

222 Landmark Center • 75 W. Fifth St. • St. Paul, MN 55102
651-484-9094 • Fax 651-484-1724
mary@woodturner.org • <http://www.woodturner.org>



Speaking of Lathes :

Speaking of Wood :



WOODS

Of the many thousands of woods known to be in existence, only a very small proportion is available commercially; of these no more than about 70 species could be said to be easy to come by. This is a situation which is likely to get more acute because of attitudes toward commercial harvesting in the rainforests.

Nevertheless, there is still a large choice available, and very often there are several species which may be equally suitable for the job at hand; a table for example may look just as good in oak as in elm and serve exactly the same purpose.

Buying wood

There are many ways in which wood can be bought, all of which in some way affects its price. The cheapest method is to buy "in the log," straight from the forest or lumber yard as a tree trunk. If you have the means to convert it, this is fine, but there are disadvantages; the most obvious being the uncertainty of the quality of the heartwood, which might have a disappointing grain or color, or may even be rotten.

Buying sawn boards is safer because the quality can be easily seen as the wood lies "stickered" - that is, stacked one board above the other with small

battens in between to allow air flow for drying.

The next step is to get your local mill to convert it to the sizes you want and this is known as buying "rough-sawn." Many lumber yards stock rough-sawn lumber in a range of standard sizes and this is the bulk of the trade.

For the woodworker without a well-equipped workshop, the easiest way is to buy "prepared" wood which is "planed all around" on all four sides, and can very often be bought cut to length. Having passed through so many processes, this method of buying is obviously the most expensive.

What to look for

What to look for depends on what you want. You may want a good figure on oak, for example, or be looking for heavy contrasts in the color of walnut. Sometimes it may be necessary to purchase a whole board in order to get the small section that you want.

Generally speaking, good straight-grained, clean wood free from knots is desirable, but look for signs of warping. Heavy "shakes" (splits) in a large oak beam may be acceptable, but in a piece of pine or mahogany for cabinetwork they are most unwelcome.

Types of wood

There are three ways in which wood is classified: trade name; local name; or botanical name. The last of these is the only really safe one for identification. Generally you can rely on the trade name, but if you have any doubt, find out the botanical name. The main reason to know what you are buying is to make sure that the wood is suitable for its purpose. There are many hardwoods now on the market

which were not exploited years ago and were introduced into the trade as substitutes for teak or mahogany and sold off as the real thing. Often they have similar properties, but it's worth checking, especially if you are buying in quantity.

Hardwoods and softwoods

This classification is something of a misnomer. Yew for example is a softwood, but it is extremely hard and can be difficult to work. Balsa is a hardwood and is very soft and can be cut and worked easily.

Hardwood refers to wood which comes from deciduous trees; softwoods come from coniferous trees. This is all that the terms mean; they have nothing to do with the properties of the wood itself.

Storage before use

For the cabinet maker, movement in wood can be a great problem, especially in the modern home environment with central heating. It is often difficult to know the moisture content of wood when it is first purchased, and without care, a beautifully crafted piece of furniture may shrink and open up after a few months in a heated atmosphere. You should try always to store your wood for some weeks in the environment in which the finished piece of furniture is going to be kept before starting work; if possible keep it in the house itself. Obviously this is not always possible, but care in storage does pay dividends. The following woods shown are a small but representative selection of those in fairly common use.

Sponsor Support

Founding Corporate Sponsors:



Rudy Valdez
MANAGER

4614 FM 1585 (130TH STREET)
Lubbock, TX 79424

806.794.5099 local
806.794.3955 fax
800.288.0629 toll free



TEXAS TOOL
& EQUIPMENT
3102 AVE A
LUBBOCK, TX 79404



Greg Williams
806-763-1641

Professional
Power Tools & Accessories

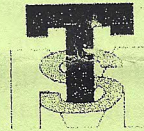
Corporate Sponsors:



KENT SHEPHERD

PHONE: 806-687-4905
FAX: 806-687-4950
srstool@aol.com

8116 W. 19TH STREET
LUBBOCK, TX 79407



CUSTOM METAL FABRICATION
TARGET
SHEETMETAL & MFG. INC.

Specializing in Stainless Steel, Copper & Aluminum

Mike Oglesby

Home 806-795-9100
Fax: 806-745-8582
E-Mail: tsmmfg@xanadoo.net
WWW.TARGETSHEETMETAL.COM

Office - 806-745-8571
315 S. Loop 289
Lubbock, Texas 79404



116 E. 42nd Street
Lubbock, Texas 79404

OFF. (806) 747-2561
FAX (806) 747-0314

Sent: Sunday, May 13, 2007 7:57 AM
Subject: JURY DUTY SCAM

JURY DUTY SCAM:

This has been verified by the FBI (Their link is also included below). Please pass this on to everyone in your email address book.

It is spreading fast so be prepared should you get this call. Most of us take those summons for jury duty seriously, but enough people skip out on their civic duty, that a new and ominous kind of scam has surfaced. The caller claims to be a jury coordinator. If you protest that you never received a summons for jury duty, the scammer asks you for your Social Security number and date of birth so he or she can verify the information and cancel the arrest warrant. Give out any of this information and bingo, your identity just got stolen.

The scam has been reported so far in 11 states, including Texas, Oklahoma, Illinois, and Colorado. This (scam) is particularly insidious because they use intimidation over the phone to try to bully people into giving information by pretending they're with the court system. The FBI and the federal court system have issued nationwide alerts on their web sites, warning consumers about the fraud.

Check it out here:

<http://www.snopes.com/crime/fraud/juryduty.asp>
<http://www.fbi.gov/pressrel/pressrel05/092805.htm>